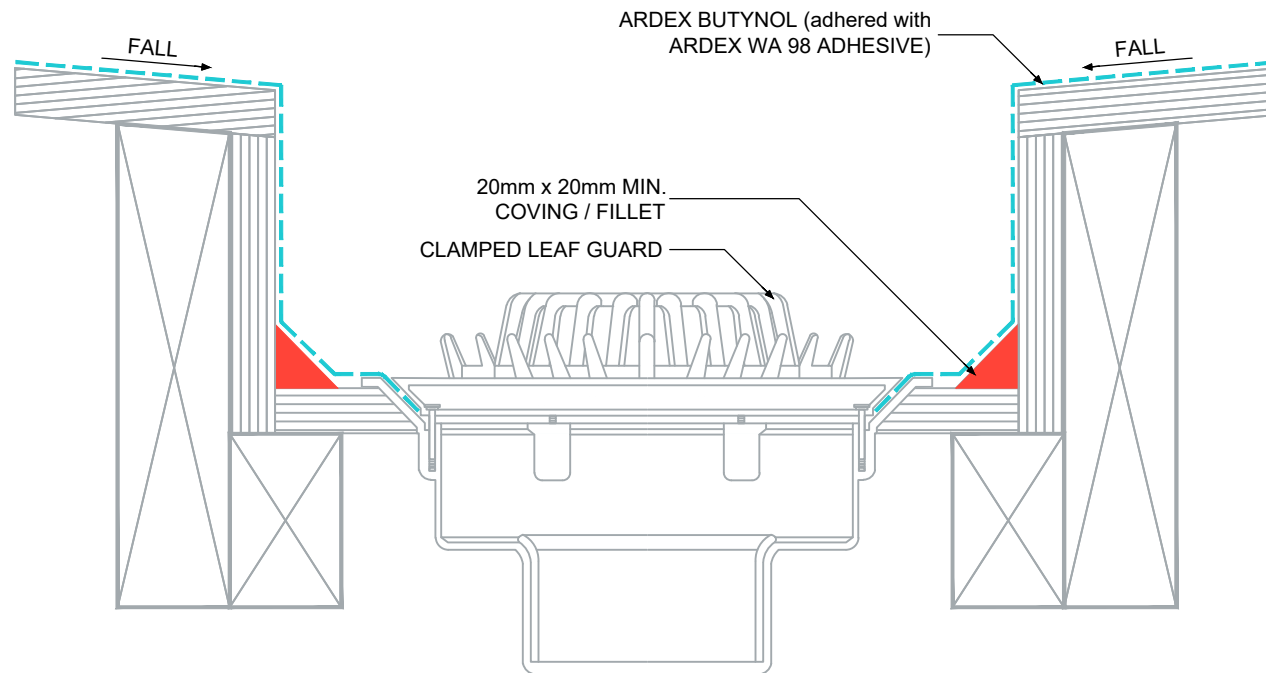


ROOFTOP GUTTER WITH CLAMPED DRAIN

NOTES



The technical details, recommendations & other information contained in this drawing is given in good faith & represents the best of our knowledge and experience at the time of design. It is your responsibility to ensure that our products are used used correctly in accordance with any applicable Australian Standard, our instructions & recommendations are only for the uses they are intended. We also reserve the right to update information without prior notice to reflect our ongoing research and development program. Country specific recommendations, depending on local standards, codes of practice, building regulations and industry guidelines may effect specific installation recommendations. The supply of our products and services are also subject to certain terms, warranties & exclusions which are available to you on request

FILE NAME	ROOFTOP GUTTER WITH CLAMPED DRAIN
DRAWN	15/03/2024 by AD
CHECKED	ADAM MCGLONE
SIZE	A4

ARDEX AUSTRALIA	
www.ardexaustralia.com	
SCALE	NTS
DRAWING	D79